

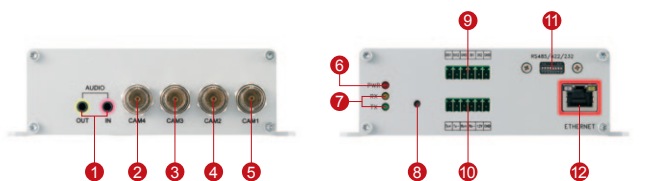
ACD-2000Q

4-channel MPEG-4 Quad Video Encoder



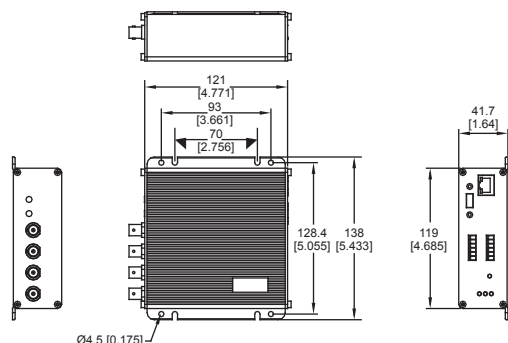
- 25/30 fps at full D1 resolution
- Selectable MPEG-4 SP, MJPEG compressions
- Full-screen or quad image display
- Two-way audio
- Video motion detection (per channel)
- Digital input and digital output
- Serial ports for PTZ control

PHOTO INDICATION



- | | | |
|-------------------------|--------------------------|-------------------------------------|
| 1 Audio Input / Output | 6 Power LED | 10 Serial Port & DC 12V Power Input |
| 2 CAM4 - Analog Input 4 | 7 Serial Port LED | 11 Serial Port Setting |
| 3 CAM3 - Analog Input 3 | 8 Reset Button | 12 Ethernet Port |
| 4 CAM2 - Analog Input 2 | 9 Digital Input / Output | |
| 5 CAM1 - Analog Input 1 | | |

DIMENSION DIAGRAM



Unit: mm [inch]

ACCESSORY OPTIONS

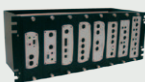
Rackmount Kit

RMK-2000



19-inch (4U) rackmount kit with 8 built-in cooling fans, powered by 100-240V AC adapter. Supports up to 8 devices.
 • Front-Bezel (R306-00004-000) option to cover the slot of video encoder
 • Front-Bezel (R306-00007-000) option to cover the blank slot

RMK-3000



19-inch (4U) rackmount kit. Supports up to 8 devices.
 • Front-Bezel (R306-00014-000) option to cover the slot of video encoder
 • Front-Bezel (R306-00009-000) option to cover the blank slot

DISPLAY MODES

Display Mode	Content	Frame Rate	Resolution	Video Stream
Quad	→	30/25 FPS (NTSC/PAL)	D1 only	1 stream, quad view
Sequential	→	30/25 FPS (NTSC/PAL)	D1 only	1 stream at a time
Single	→	7 FPS	D1	4 independent streams
	→	15/12 FPS (NTSC/PAL)	CIF	4 independent streams

ACD-2000Q

PRODUCT SPECIFICATION

ACD-2000Q

• Device

Device Type	Video Encoder
Number of Channels	4

• PTZ

Protocol	Pelco-D, Pelco-P V1 and V2, Dynacolor, Sony VISCA, American Dynamics
----------	--

• Video

Compression	MPEG-4 SP, MJPEG
Maximum Frame Rate vs. Resolution	Quad mode/ Sequential mode: 30 fps at 720 x 480 (Full D1, NTSC); 25 fps at 720 x 576 (Full D1, PAL) Single mode: 7 fps at 720 x 480 (Full D1, NTSC/PAL) 15 fps at 352 x 240 (CIF, NTSC); 12 fps at 352 x 288 (CIF, PAL)
Multi-Streaming	Multiple streams based on single configuration
Bit Rate	28 Kbps - 3 Mbps (per stream)
Bit Rate Mode	Constant, Variable
Image Enhancement	Brightness; Saturation; Contrast
Text Overlay	Camera name and video loss alert

• Audio

Compression	8 kHz, Mono, PCM, 16 bit encoding
Audio-In	3.5 mm Phone Jack
Audio-Out	3.5 mm Phone Jack

• Network

Protocol & Service	TCP, UDP, HTTP, HTTPS, DHCP, PPPoE, RTP, RTSP, DNS, DDNS, NTP, ICMP, ARP, IGMP, SMTP, FTP, UPnP, SNMP, Bonjour
Ethernet Port	1, Ethernet (10/100 Base-T), RJ-45 connector
Security	IP address filtering; Password protected user levels

• Alarm

Alarm Trigger	Video motion detection (1 region per channel); External device through digital input
Alarm Response	Notify control center; Go to PTZ preset point or preset tour; Change camera settings; Command other devices; E-mail notification with snapshots; Upload video, snapshot to FTP server; Activate external device through digital output

• Interface

Analog Video Input	4, CVBS, 1.0Vp-p with 75Ω BNC connector
Digital Input	2, terminal block
Digital Output	2, terminal block
Serial Port	RS-485, RS-422, RS-232, terminal block

• General

Power Source / Consumption	DC 12V ±10% / 5.0 W
Weight	430 g (0.95 lb)
Dimensions (W x H x D)	119 mm x 41.7 mm x 122 mm (4.69" x 1.65" x 4.81")
Operating Temperature	ACD-2000Q: 0 °C ~ 50 °C (32 °F ~ 122 °F) ACD-2000QT: -30 °C ~ 70 °C (-22 °F ~ 158 °F)
Operating Humidity	10% ~ 85% RH
Approvals	Video Encoder: CE, FCC; Adapter: CE, TUV-GS, UL, RCM, CCC

• Integration

Unified Solution	Fully compatible with ACTi software
ISV Integration	Software Development Kit (SDK) available
Firmware Access Browser	Microsoft Internet Explorer 6.0 or newer